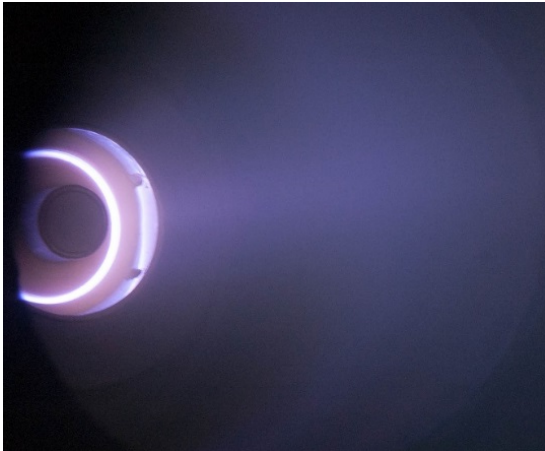


Ion Beam Source IBS - 52

Small-sized ion source IBS - 52 - gas-discharge ion source, tube-shaped beam, operating principle - accelerator with anode layer (UAS).



Parameter	Value
Beam shape	hollow, cylindrical
Beam diameter	22 mm
Max. angle of divergence	2 degrees
Ion energy	500... 2500 EV
Maximum beam current	150 mA
Gas efficiency	9 mA/scom
Weight no more	0.25 kg
Connections	gas, coolant supply voltage

The IBS-52 ion source allows concentrating up to 150 mA of ion current in a spot 25 mm in diameter (at a distance of 500 mm).

The high value of the ionic current of the beam focused in a small-diameter spot will make it possible to efficiently sputter metals, dielectrics, and semiconductors.

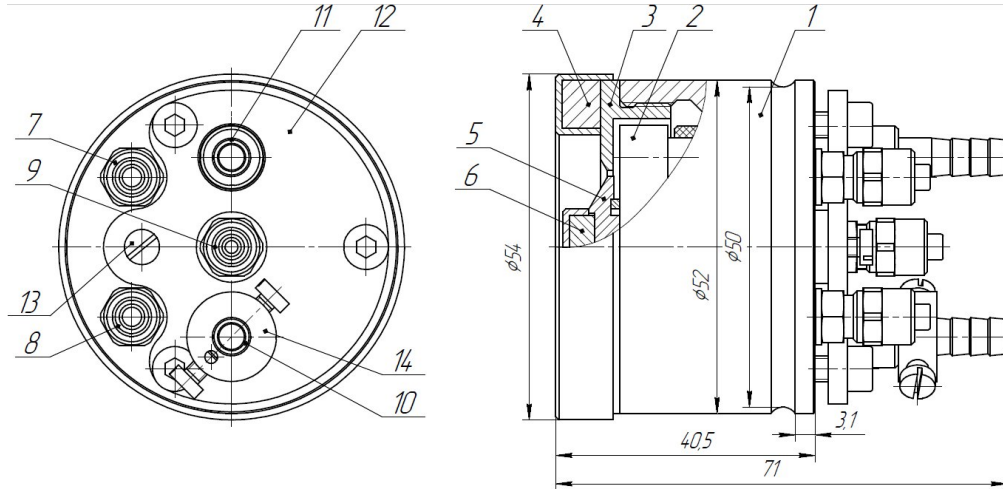
Due to the small size of the spray area, a practically point source will provide a high uniformity of the sprayed layer thickness.



Ion Beam Source IBS - 52

Ion Beam Source IBS - 52

basic dimensions



- 1 - body
- 2 - anode
- 3 - external electrode
- 4 - external magnet with a cap
- 5 - central electrode
- 6 - central magnet
- 7,8 - fittings coolant inlet / outlet of the cathode
- 9 - gas fitting
- 10,11- anode coolant inlet / outlet fittings
- 12 - hold-down washer
- 13 - grounding screw
- 14 - anode terminal

