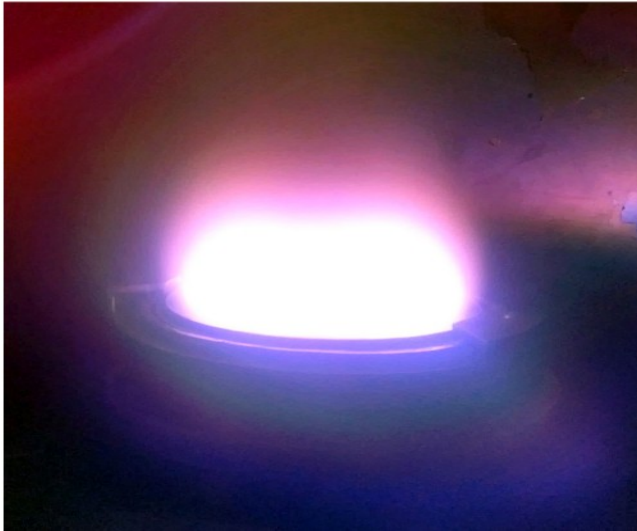


# Magnetron - 100K

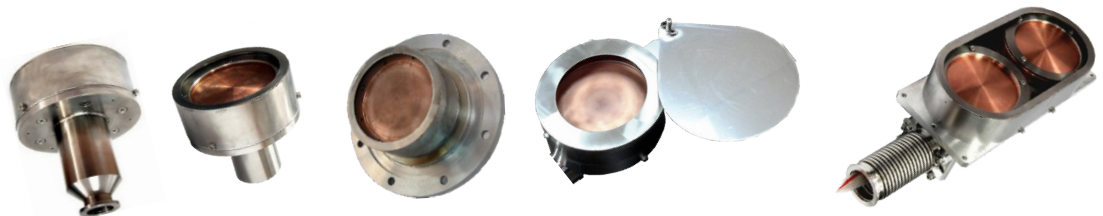


Magnetron 100K

Magnetron-100K for targets made of conductive materials in vacuum.

Parameter	Value
Maximum power	3500 W
Working voltage	300 - 800 V
Target diameter	95-100 mm
Target thickness	10 mm
Weight	3,6 kg (no more than)
Chamber working pressure range	0,07-10 Pa
Working gas	argon (ГОСТ 10157-2016)
Minimum coolant consumption at an operating power of 1 kW	1 l / min
Cooling liquid (recommended)	distilled water, 20% ethyl alcohol solution in distilled water in accordance with GOST 6709-72

There are special designs for different applications.



# Magnetron - 100K sizes, designs, composition

## Execution options

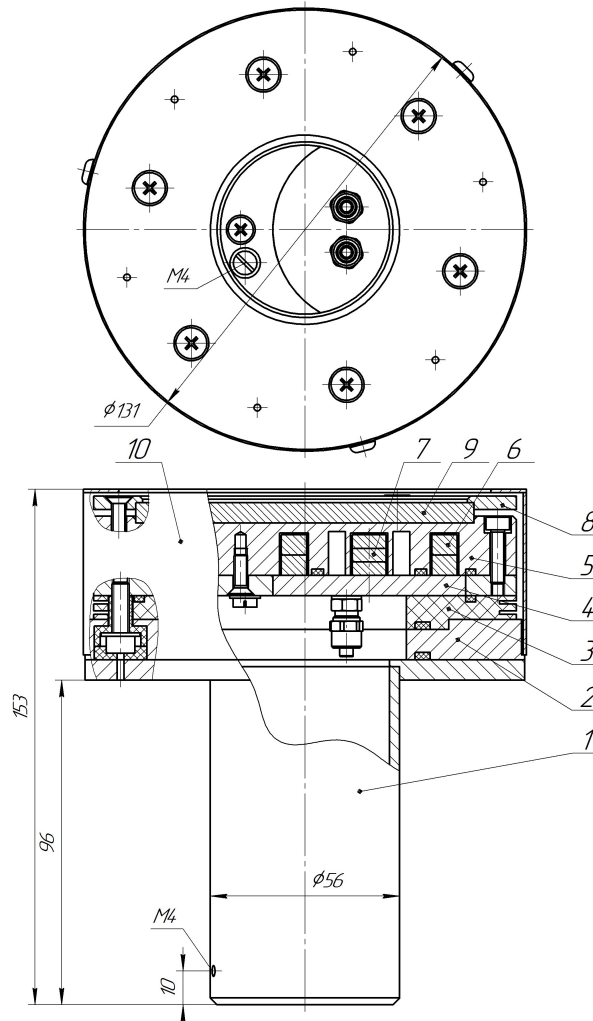
- with controlled damper (- 01)

- on KF connector (-02: KF25,-06: KF40)

- on the flange (-03)

- 2-section (-04)

- cylindrical bushing (-05: Ø56,-06: Ø60)



## Main elements

- 1 - body;
- 2 - plate;
- 3 - insulator;
- 4 - magnetic circuit;
- 5 - target holder;
- 6 - external magnets;
- 7 - internal magnets;
- 8 - clamp;
- 9 - target;
- 10 - screen.

