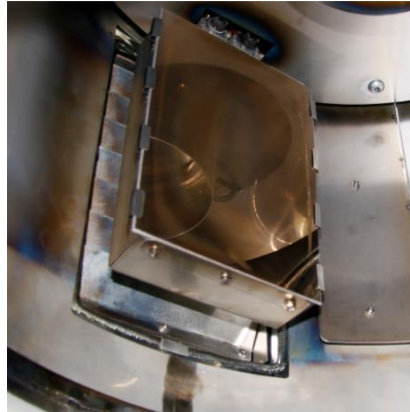


# Heater - 200



The heater is designed to heat products in a vacuum chamber using a direct heating heater. The heating element made of composite carbon material has an almost unlimited resource.

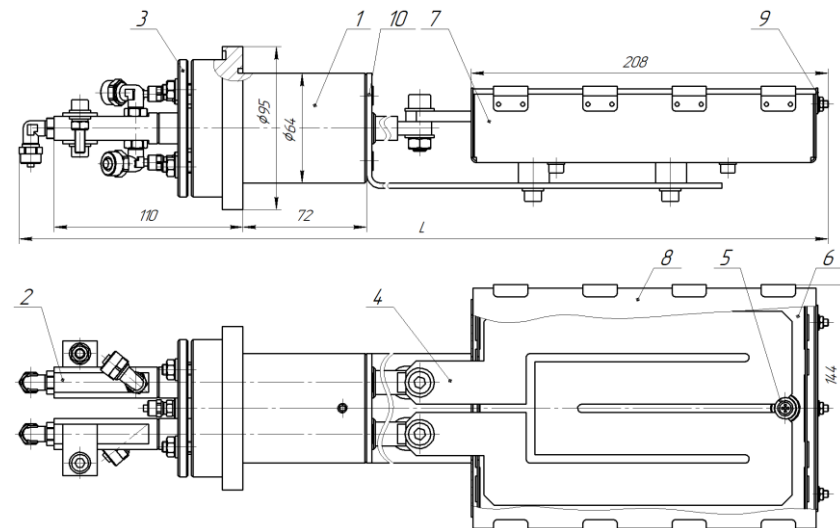
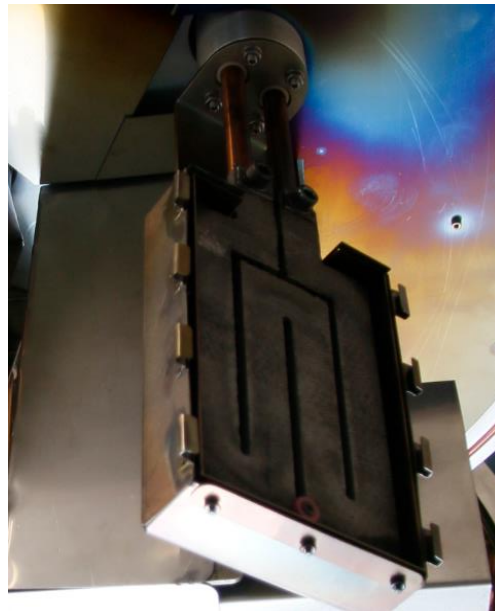
Parameter Value

Maximum current 160 A

Max power 2.5 kW

Working temperature 50 - 350 ° C

Length (L) - 07 475 mm



**Heater - 200**  
**232.00.00.00.000-08**