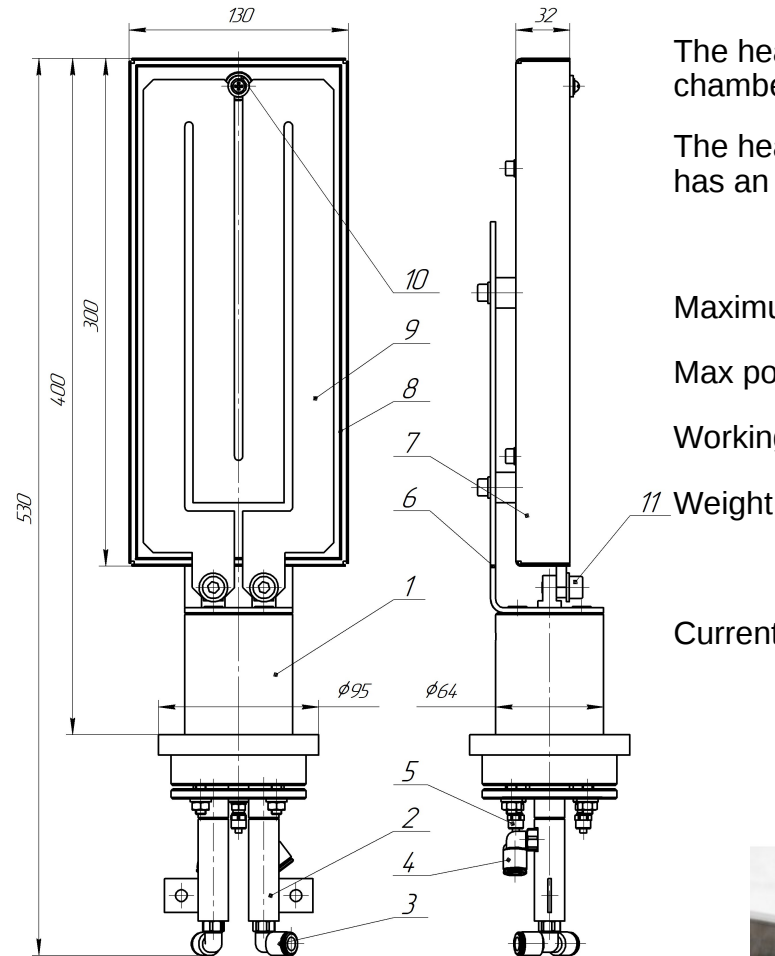
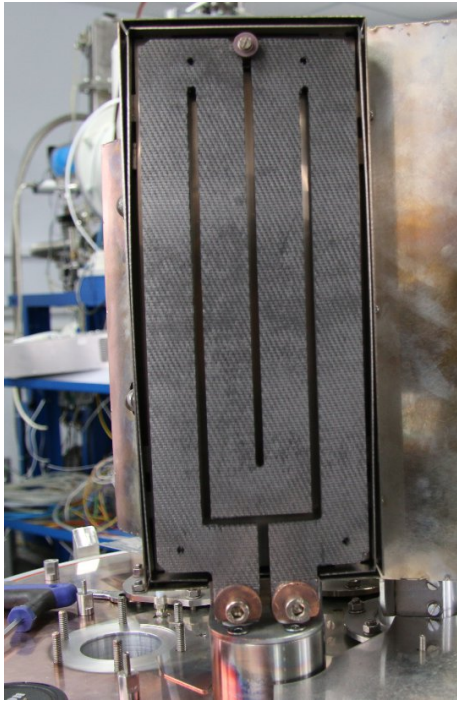


Heater - 300

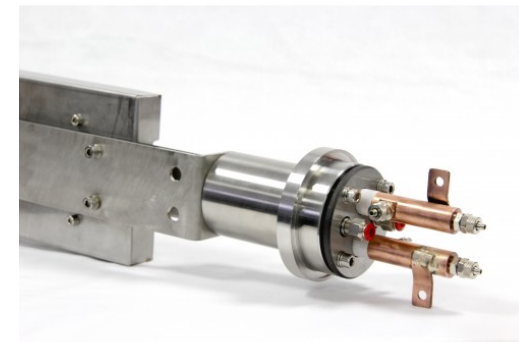
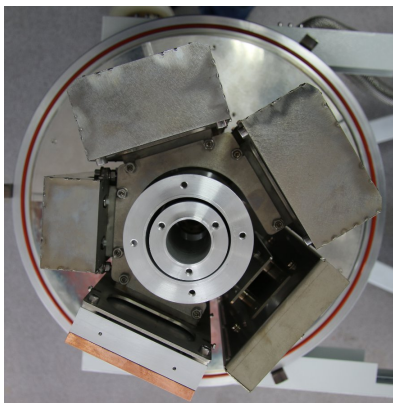


The heater is designed to heat products in a vacuum chamber using a direct-heated heater.

The heating element made of composite carbon material has an almost unlimited resource.

Parameter	Value
Maximum current	160 A
Max power	2,5 kW
Working temperature	50 – 350 °C
Weight	5,5 kg

Current and vacuum leads are water-cooled.



Heater - 300

ЛЦМК.232.00.00.00.000 - 04