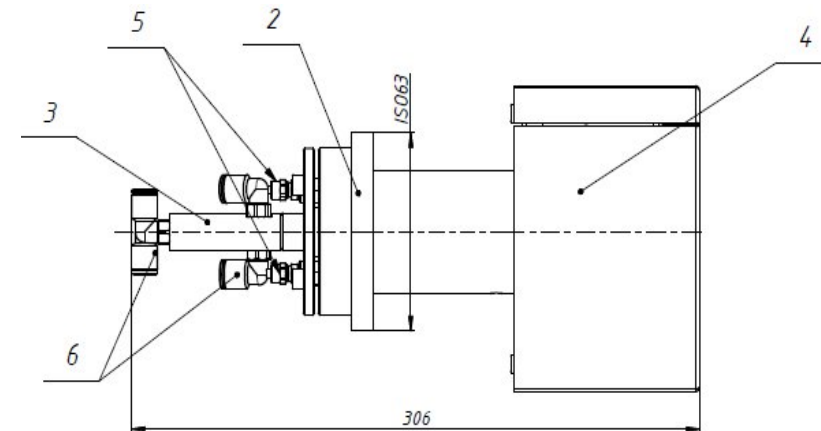
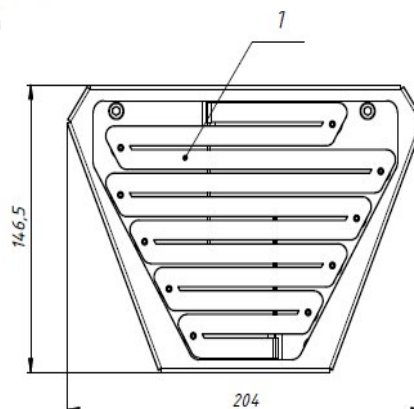
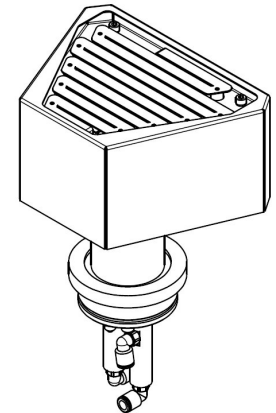


## Sector heater

The heater is designed to heat products in a vacuum chamber using a direct-heated heater. The heating element made of composite carbon material has an almost unlimited resource.



Parameter	Value
Макс. Напряжение	34 W
Maximum current	500 A
Max power	3,5 кВт
Working temperature	450 °C
Min coolant consumption	1 l/h
Weight	3 kg
Current leads and vacuum lead-in - water-cooled	



**Heater**

**ЛЦМК.245.00.00.00.000**