

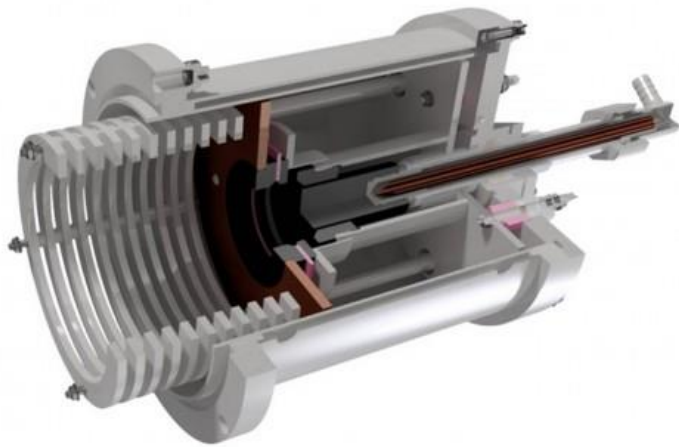
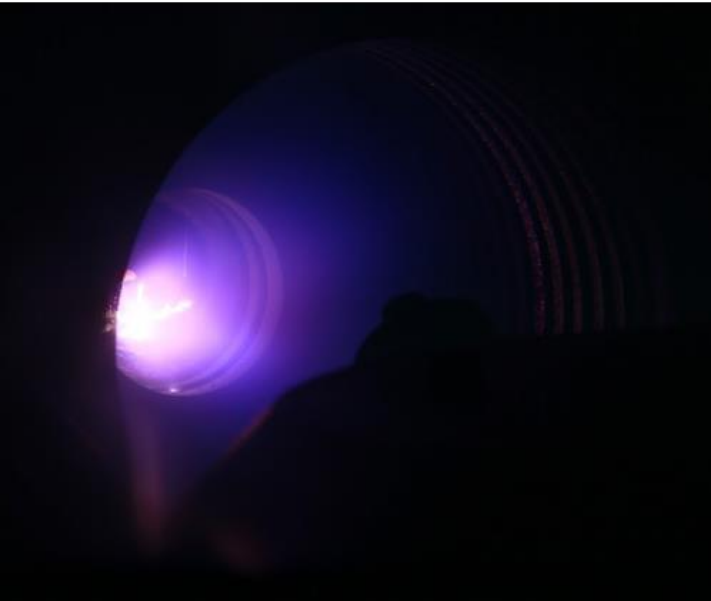
Pulsed arc carbon plasma source

The pulse arc evaporator is designed to generate a flow of carbon plasma which is condensed on a substrate. The cathode material evaporates in the cathode spot of the pulse vacuum arc, burning on the end surface of the cathode. Due to the action of the magnetic field of the flowing current, the carbon plasma is accelerated towards the substrate, providing a high hardness of the coating.

Parameter

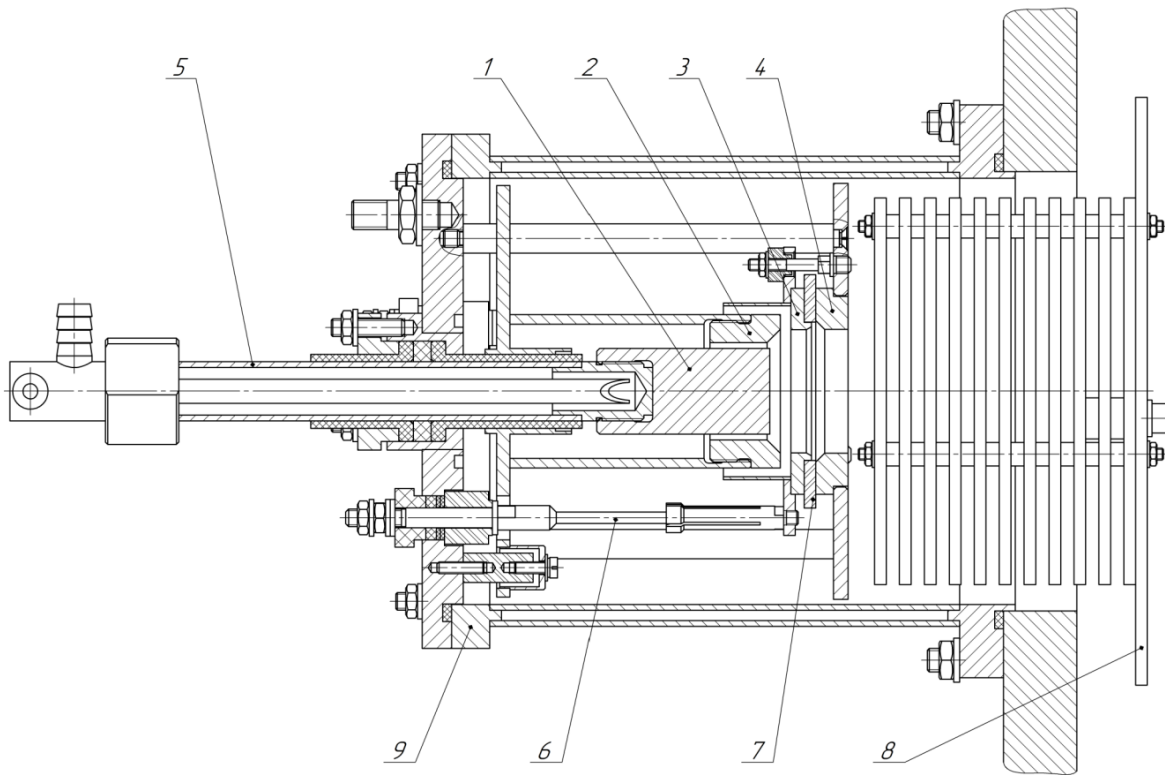
Value

Cathode diameter	29 mm
Maximum current	4 kA
Mounting flange	ISO160
Maximum pulse frequency	40 Hz



Pulsed arc carbon plasma source

Pulsed arc carbon plasma source



- 1-cathode;
- 2-additional anode;
- 3, 4-igniting electrodes;
- 5-input;
- 6-contact;
- 7-insulator;
- 8-anode;
- 9-casing.